

138 x 23 mm Silvadec deck boards: installation and care

Caution!!! Wood composite 138 x 23 deck boards in Forexia® are designed for pedestrian use outdoor. They cannot be used as structural component. Their load bearing capacity (dynamic instant load) is 450kg/m² equally spread on this surface. Due to maintenance, we disadvised interior use. Read through the entire installation instructions before starting your installation (read very carefully the parts spacing chapters).

Silvadec SA disclaims responsibility for damaged caused by, or failure of, the product as a result or faulty installation caused by failure to follow these instructions. Failure to follow these instructions will void Silvadec guarantee.

Tools

Forexia® cuts , drills and installs similar to wood using standard wood working tools. We recommend carbide-tipped saw.

Ground Preparation

Deck must be installed on a slope (10 mm every meter) away from the house and in same direction as the bearer length to allow water to run off. Please special attention that no water is present at all by the bottom of the deck.

The highest point must be at the house. Deck may be installed on flat ground with slope (concrete flat flooring), on a structure or on plastic pedestals. It can also be installed on a compact ground different than concrete. In this last case, bearers must be supported by concrete support to avoid any ground sinking.

Bearer installation

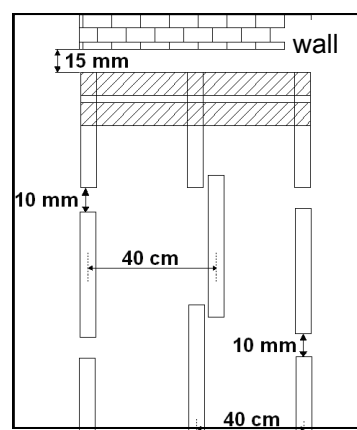
To allow for proper ventilation, boards cannot be installed directly on the ground, but on bearers in Forexia® or in solid wood (pressure treated or exotic wood), which are at least 50 mm high and wide.

Bearers in Forexia® (50 x 50 mm) are not structural components. They must lay on that flat ground (such as concrete flooring) on their entire surface . **They must not stay permanently into water. They cannot be used directly on weather proofing.** They cannot be cut in width or height but only in length. For installation on pedestals, bearers in solid wood must be used (pressure treated or exotic).

The bearers must be installed with a specific spacing.

The spacing are:

Angle between the board and the bearer	90°	45°	30°
Maximal spacing from centre to centre	40cm	20cm	10cm



Bearers in Forexia® (or solid wood) cannot be sealed in concrete. Bearers in Forexia® cannot be fastened to ground or to each other, they also cannot be glued. When butting, a minimal 10mm gap in length between bearer ends and 15mm gap between bearer end and a wall must be left to allow proper water drainage and temperature expansion (see the drawing).

If the floor is not completely flat, you can use solid liners (in PVC for instance) to take up the height difference. These liners must be spaced every 30cm in the bearer length (maximal space). As bearer is not structural part this 30 mm is the very maximum. Do not use bearers as liners to take up height difference.

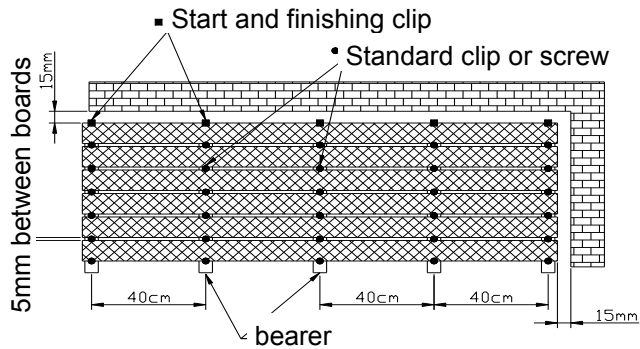
Board's end of each board must be supported by a bearer and be fastened to it in order to eliminate any stress, due to weight on the board (no cantiliver allowed). To avoid that on end, we propose a butting clip to fasten 4 boards together.

We advise you to have bearers a little bit longer than boards end and cut them with saw blades when finish to avoid cantiliver.

Spacing between deck boards

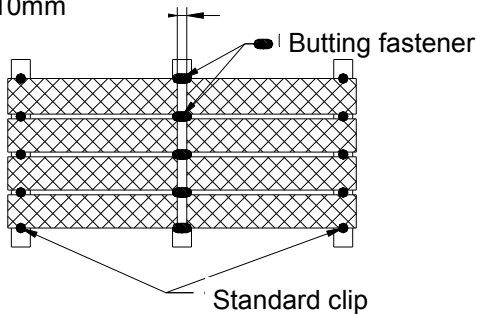
A minimum of 5 mm gap in width is necessary, it allows for expansion due to temperature change and also water and melting snow or ice drainage. Also a 10mm gap in length between boards end is necessary (check with two 5mm thick liners provided with clips), do not butt boards over 4 meters long. Use liners provided with clips to check spacing in width and length.

Board installation



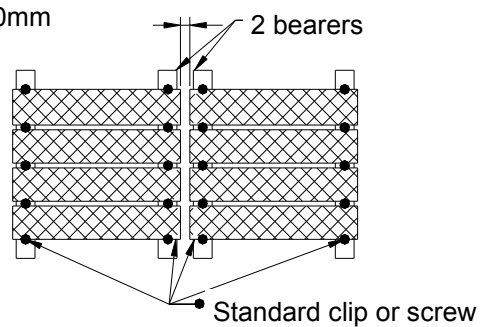
Butting boards with butting fastener

Butting gap 10mm



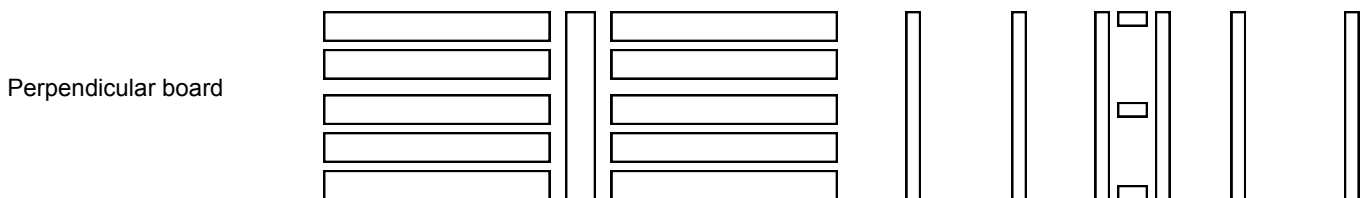
Butting boards without butting fastener

Butting gap 10mm



Examples of deck surface pattern

Installed of butting long boards, you can try different patterns like paving or by fixing one board perpendicular to the other. The result is visually attractive.



By using 5 mm space between each board and 40 cm space bearers, for 1m² you need:
 7 linear metres of board 138 x 23
 3 linear metres bearers (careful you need more bearers if you do not use butting clip)
 About 18 to 20 fasteners according to the surface pattern
 (One clip must be used at each crossing board/bearer)

Board installation and fastening


The visible surface of the board has been brushed to increase slip resistance. The unbrushed surface must not be used as visible top surface.

We propose 3 types of fastening systems with 3 different visual effects, ease of use and installation speed.



- You must use liners to check 5mm spacing in width and 10mm spacing in length between boards.
- Gluing is not recommended
- We recommend the use of stainless steel and screws
- Do not cover tighten the screws
- Do not screw at more than 3 centimetres from the end of each board

1- Stainless Steel Hidden Fastener: These 3 hidden fasteners ease the installation of deck in Forexia®. Those fasteners are supplied with screws. The fasteners give you the space between boards in width. Do not force on fasteners to reduce the space. Our fasteners are designed for our boards. Do not use any other hidden fastener from another supplier.

Standard clip




The first board is fixed, you slide the fastener into the groove





Once the fastener is positioned, you screw it onto the bearer (screw torque on 7)


You just need to slide in the next board. Control the space with a liner.



Butting clip




The installation of this fastener is similar to the standard one.



The butting fastener is used to fasten 4 boards ends and adjust spacing in length and width. Control the space with a liner.

Start and finishing clip




First and last board can be fastened with the relevant clip or be screwed.

This clip is screwed to the bearer.

2- Stainless steel plate (Invisible Fixing)

The spacing is 5mm

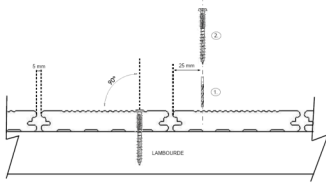


3- The Apparent Screw

3-1) Screws to use:

- Silvadec dedicated composite-screws to be used (pre-drill is not compulsory only if screwing is realised perpendicularly to the board). Screws sold separately.
- VBA 5*50mm by pre-drilling. Imperative to use a 3.5mm drill.

3-2) Screwing the boards on bearers




When screwing at 20 to 50 mm from the edge of the board: you have to pre-drill the board with a 3.5 mm drill, whatever the screw used. When screwing at more than 50 mm from the edge of the board: using Silvadec dedicated composite screws, you are not obliged to pre-drill. Nevertheless, using VBA 5*50 screw, you must pre-drill the board with a 3.5 mm drill.

It is strongly not advised to screw at less than 20 mm from the edge of the board (even if pre-drilling).

Warning: Expansion gaps must be respected (refer to paragraph entitled « Spacing between boards and decking » within the PU7V8 Principles and care instructions on page 2/4).


The point is to screw two screws at each intersection between a board and a bearer.



Deck finishing

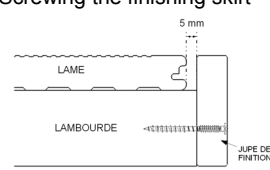
Before any finishing action, when boards are fixed, you have to trim their extremity thanks to a circular saw and a ruler. Indeed, the tolerance regarding the length of the screw is +/- 1 cm. The finishing skirt has to be fixed to the bearers using Silvadec dedicated composite-screws 5*50 (sold separately). Please allow a 5 mm gap at the extremities in their length. Do not use points. Only screws to be used.

Fascia: length of the board



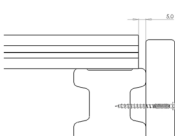
Screw the skirt onto the bearer.
Leave a 5 mm gap between the fascia and the boards end

Screwing the finishing skirt




Pre-drilling the board with a 3.5 mm drill, then screwing directly the composite screw

Fascia: board longitudinal



Screw the skirt on the bearer thanks to the screw in pre-drilling the skirt with a drill of a 3.5 mm



Technical details

- For decks on weather proofing, plan one or two traps to inspect and clean the weather proofing.
- When making paving (traps) use a structural material (steel or solid wood). Do not use bearers or boards in Forexia®. Leave a space (at least 1 cm) between the trap and the boards
- Do not fix parts such as posts, lights, pool blankets...directly on the board.
- Do not forget spacing around parts inserted in the deck board such as posts, light.
- For swimming pool shed, shed post cannot sit on the non structural boards. Shed wheels must be on rails for not pinching the boards.
- For swimming pool, we do not recommend the use of trim profiles as rim, better use a stone trim.

Maintenance

Boards require few maintenance. We recommend you to wash your deck once a year (in spring) with water and soap thanks to a scrub brush (act in the longitudinal sense of the boards)

- Use a blade to clean the space between each board to keep a good drainage
- For a standard cleaning, when brushing out grease stains, oil or mold, use the dedicated SILVACLEAN product to clean wood composite (refer to instruction of use on the product).
- For persistent oil and grease stain, use a medium grain sand paper and sand slightly in the direction of the grain. Usually most grease stains will disappear after weeks of UV exposure.
- **Warning:** moisture stains may appear in semi-protected areas such as vegetation, areas under protection...These stains will disappear after weeks of UV exposure and bad weather. It is possible to speed up the process thanks to a scrub brush and SILVACLEAN product for wood composite (act in the longitudinal sense of the board).
- Do not use Forexia boards in interior or within areas with non UV or windy exposure. A minimum exposure to wind and rain is necessary for an easy washing and maintenance.
- Do not use solvent base materials. Do not stain, oil or paint our deck boards.
- The wood composite 138 x 23 Forexia® deck boards do not require any special treatment.

Storage and handling

Forexia® boards should be stored on a flat and ventilated surface and correctly supported. The non brushed surface must be visible to avoid any colour fading of the used surface. Caution in handling must be taken as Forexia® boards are heavier than most similar wooden deck boards.

Don't Do This !



Do not steal bearers in concrete



Leave a 5 mm gap between boards in width and a 15 mm between end and a wall



Do not glue Forexia®



No inserts in board grooves



Leave a 10 mm space between ends when butting the bearers

See your deck building code with your Local Authority prior to the installation.

Forexia® is not a so called « traditional building product ». Please inform your insurance company.

Failure to follow the above instructions will void Silvadec SA guarantee.

The colours of Forexia® boards can change slightly during the first months. If you order more after a while, you will notice a slight difference. This difference will disappear after few months.

The colour and surface brushing of supplies may differ slightly from one delivery to another due to different wood sawdust supplies. The colours and surface brushing are not contractual.

Silvadec 25 years guarantee is valid for all products in the range against fungi, rot and insects in normal conditions of use.

This guarantee covers replacement of damaged products only. Installation and related costs are excluded from the guarantee.